

SWIMMEY™

Replacement Parts

Filters

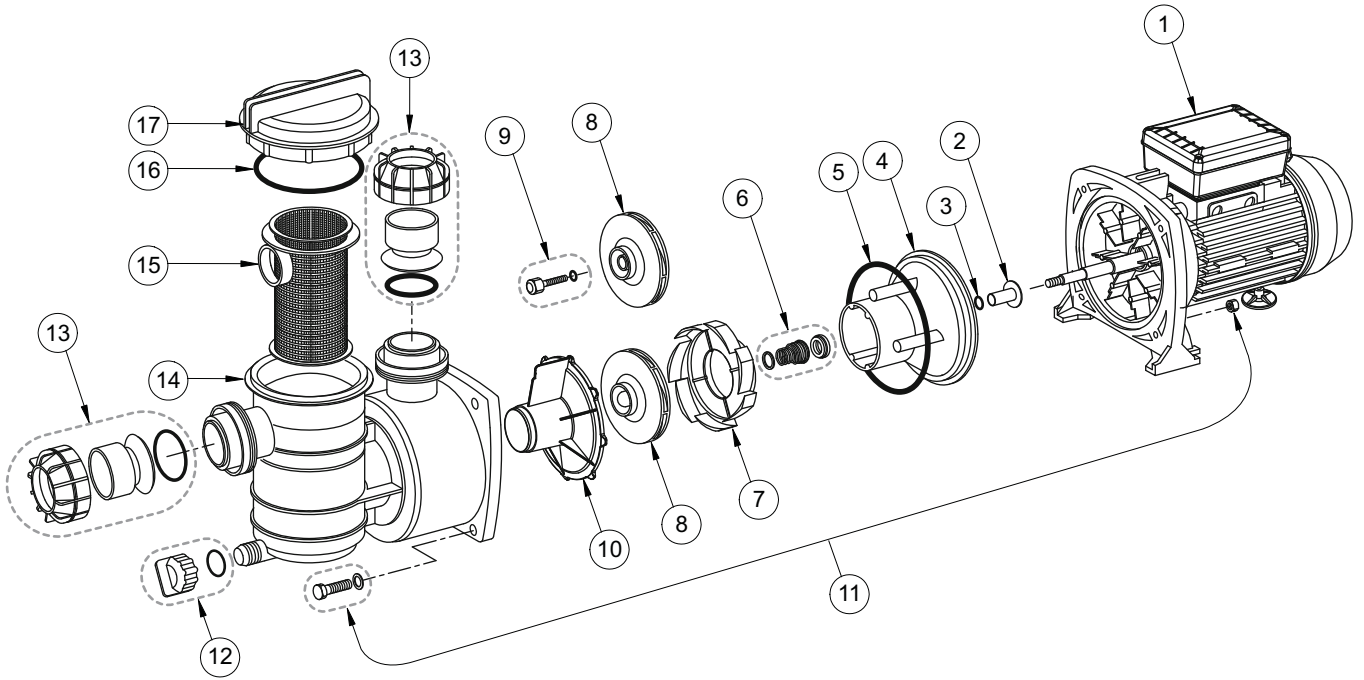
Filtration
systems

Valves

Pumps

Motors

Cleaners



SWIMMEY™

Replacement Parts

No.	Part No.	Description	Part No.	Includes*	
1**	RS021	Motor - Mono Phase 0,18kW		1	
	RS031	Motor - Mono Phase 0,25kW		1	
	RS051	Motor - Mono Phase 0,37kW		1	
	RS053	Motor - Tri Phase 0,37kW		1	
	RS071	Motor - Mono Phase 0,50kW		1	
	RS073	Motor - Tri Phase 0,50kW		1	
	RS101	Motor - Mono Phase 0,75kW		1	
	RS103	Motor - Tri Phase 0,75kW		1	
	RS131	Motor - Mono Phase 1,00kW		1	
	RS133	Motor - Tri Phase 1,00kW		1	
	RS151	Motor - Mono Phase 1,13kW		1	
	RS153	Motor - Tri Phase 1,13kW		1	
	RS201	Motor - Mono Phase 1,50kW		1	
	RS203	Motor - Tri Phase 1,50kW		1	
	2	R604000	Shaft Sleeve (0,18KW -> 0,75KW)		1
		R505070	Shaft Sleeve (1,00KW -> 1,50KW)		1
	3	R111P0960	O-Ring (0,18KW -> 0,75KW)		1
R702218		O-Ring (1,00KW -> 1,50KW)		1	
4	R731S2380	Seal Plate (0,18KW -> 0,75KW)		1	
	R303350	Seal Plate (1,00KW -> 1,50KW)		1	
5	R111P0970	O-Ring		1	
6	R111P0910	Mechanical Seal (0,18KW -> 0,75KW)		1	
	R700270	Mechanical Seal (1,00KW -> 1,50KW)		1	
7	R302200	Diffuser (0,18KW -> 0,37KW)		1	
	R302191	Diffuser (0,50KW -> 0,75KW)		1	
	R303460	Diffuser (1,00KW -> 1,50KW)		1	
8	R731SA220	Impeller 0,18KW Mono Phase		1	
	R731SA210	Impeller 0,25KW Mono Phase		1	
	R731S3090	Impeller 0,37KW Mono & Tri Phase		1	
	R504593	Impeller 0,50KW Mono & Tri Phase		1	
	R504820	Impeller 0,75KW Mono & Tri Phase		1	
	R731S2360	Impeller 1,00KW Mono Phase		1	
	R731S2670	Impeller 1,00KW Tri Phase		1	
	R506820	Impeller 1,13KW Mono Phase		1	
	R731S2680	Impeller 1,13KW Tri Phase		1	
	R507650	Impeller 1,50KW Mono Phase		1	
R731S2690	Impeller 1,50KW Tri Phase		1		
9	R373376081	Impeller Lock Screw (1,00 -> 1,50KW)		1	
10	R101P6420	Separator Plate (0,18KW -> 0,75KW)		1	
11	RHWSWIM	Hardware Kit		4	
12	R504605	Drain Cap and O-Ring		1	
13	R505426	Union Kit Slip Fit 50mm		2	
14	R303110	Pump Body		1	
15	R302310	Basket		1	
16	R702208	O-Ring		1	
17	R404293	Lid		1	

* PART NUMBER INCLUDES REQUIRED QUANTITY PER PRODUCT

** SEE MOTOR SHEET FOR MOTOR SPARE PARTS

Rev. 08/2010

Filters

Filtration systems

Valves

Pumps

Motors

Cleaners